

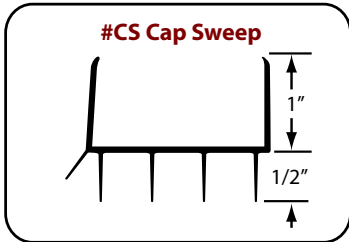
#CS Cap Sweep Door Bottom

Eliminate owner expense - material and maintenance: +

- Integral fins will not rip out or wear out
- Self-Adjusting fins eliminate need to adjust
- Eliminates maintenance for face of door chipping

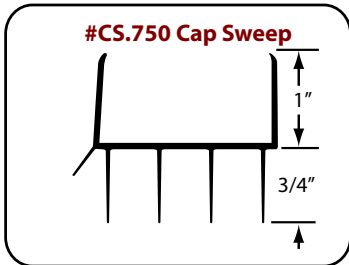
Occupant comfort and safety:

- Sound rating will not be compromised by fin failure
- Eliminates Guest complaints from noise
- Ensures a positive guest experience



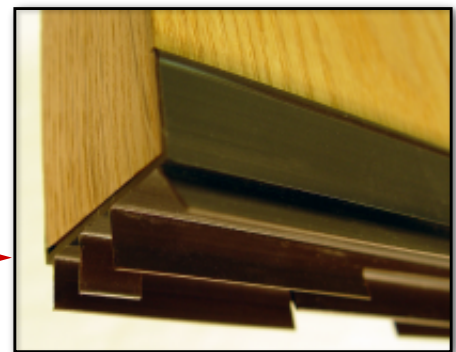
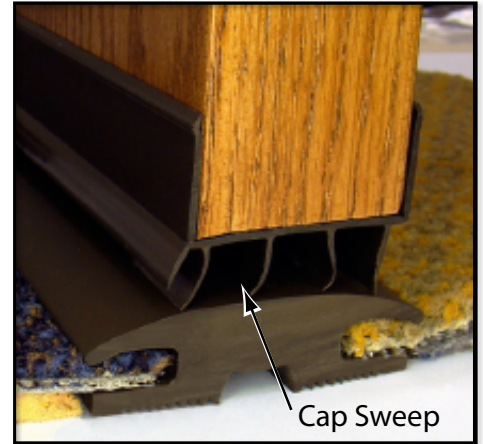
- ★ **Four Fins** for superior STC
- ★ **1/2" Adjustable** for out of level floors
- ★ Eliminates need for pin-actuated Auto-Drop

OR



- Typically sealing to a threshold or transition
- **1/2", 3/4" fins IN STOCK**
1/4", 3/8" fins available

- Request DHSI specific transition detail for height, undercut and clearance dimensions. See Page 16
- **Use only DHSI Architectural Details for submittals.**



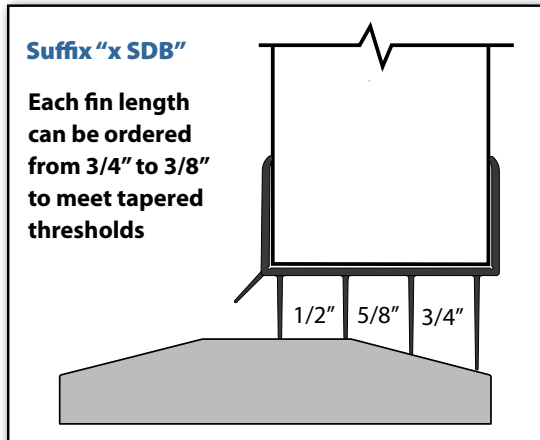
**THE INDUSTRY
★ INNOVATOR
★ ORIGINATOR**

New Product:

- **Door Sweeps for tapered thresholds**

Suffix "x SDB"

Each fin length can be ordered from 3/4" to 3/8" to meet tapered thresholds

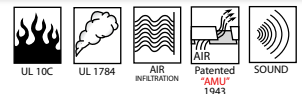


- "AMU" staggered cut fins available for corridor air supply

- ★ Available with: "AMU - Allowance and Means for Undercut" option: Allows air to pass. Still blocks light and offers sound attenuation. **Originally Patented by DHSI**

- Part no:
- **#CS36** _____ 35 3/4"
 - **#CS48** _____ 47 3/4"
 - **#CS36 x AMU-3** _____ 35 3/4" with 3 "AMU" fins
4 or 2 "AMU" fins available
 - **#CS.75-36** _____ 35 3/4" with 3/4" fins
 - **#CS.75-36 x AMU-3** _____ 35 3/4" with 3 "AMU" 3/4" fins
 - **Add "x SDB"** _____ For Sloped Door Bottom

Color Choices: Off-White, Dark Brown, Black



Listed with ITS (Warnock Hersey) for use on fire doors up to 90 min