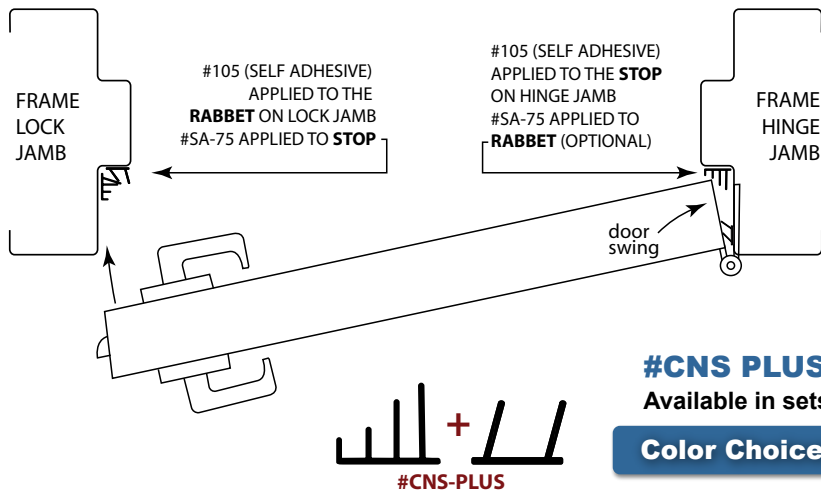


#CNS PLUS - STC Seal *Get the highest operable STC in the industry*



- ★ **STC 44 on an STC 44 Panel!**
- ★ **Sextuple seal for unsurpassed sealing range.**
- ★ **Higher STC results**
 - Cost effective
 - STC Testing information available upon request
 - A frame sealing package, including the #105 and the #SA-75.

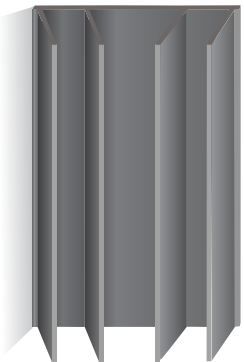
#CNS PLUS® x opening size

Available in sets of 3, 4, 7 and 8 foot lengths

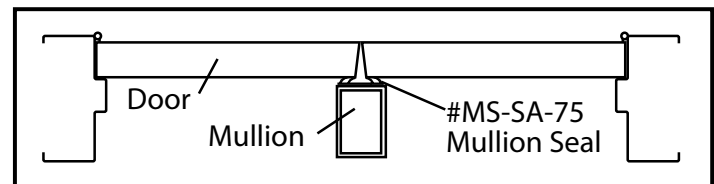
Color Choices: Off-White, Dark Brown and Black

Patents #5,577,349, #6,058,654, #6,266,924, #6,381,905, #8,209,909 #9,388,629 and Patents Pending

#MS-SA75 Mullion Seal - Sound/Weather Seal



- Self Adhesive seal for weather and sound
- Available with Ligature-Resistant option
- Adhesive defies removal
- Seals up to 1/4" gap/out of plumb
- Easily collapses to less than 1/32"
- Designed to allow the door to close and latch without causing bind, providing secure latching



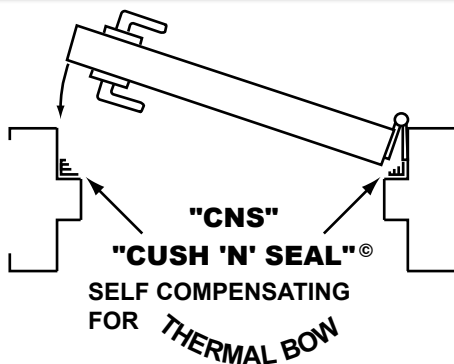
#MS-SA75 x length x color

#MS-SA75-B x length x color - "Breakaway"® option

Available in 7 and 8 foot lengths

Color Choices: Off-White, Dark Brown and Black

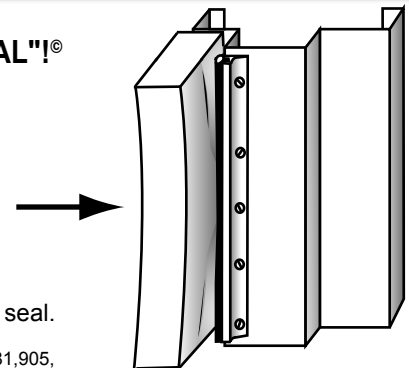
Is Weatherstripping a Problem?



★ Use DHSI #105 "CUSH 'N' SEAL"![®]

- Teardrop and straight seals do not compensate for thermal bow and out-of-plumb conditions.
- How can an ordinary bulb stop applied seal **possibly** compensate when a door moves?
- Use DHSI seals for a self compensating seal.

Patents #5,577,349, #6,058,654, #6,266,924, #6,381,905, #8,209,909 #9,388,629 and Patents Pending



"Cush 'N' Seal"® offers the least resistance for closing, latching and locking.
Complete the openings with a choice of door bottoms and mortise or surface astragals.

DHSI • DOOR AND HARDWARE SYSTEMS, INC.

17 Silver St., Rochester, NY 14611 T: (585) 235-8543 F: (585) 235-0431 E: info@dhsi-seal.com W: dhsi-seal.com

CAT-05 8-01-16 copyright