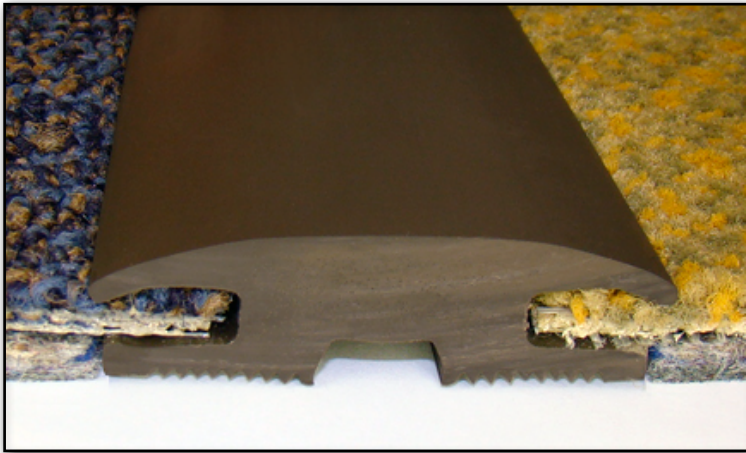
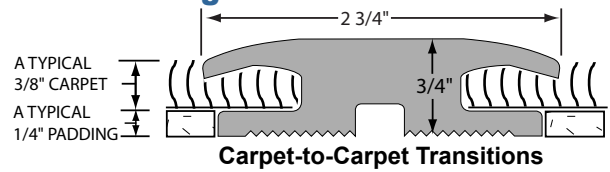


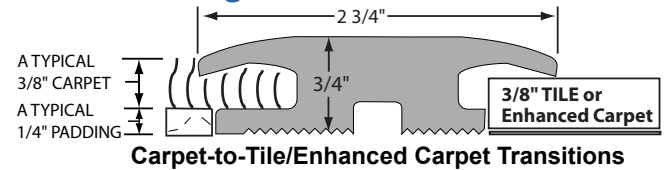
#FT 2.75 DHSI Threshold/Transition Strip



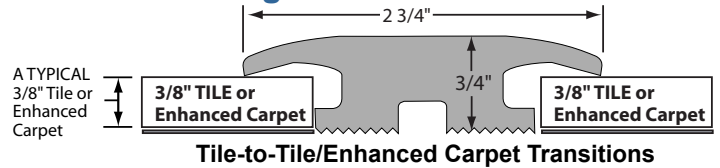
#FT 2.75 x length x color



#CTT 2.75 x length x color



#TTT 2.75 x length x color



PATENT #7,062,881, #7,681,372, #8,051,605 #8,418,426 and PATENTS PENDING

- Solid color "class one" fire separation transition strip.
- Glue down, flexible recess with unique 'Carpet Tuck' feature. Does not "Pop Up" or lift up under weight.
- Eliminates seams, separates colors and patterns.
- Eliminates the need for carpet tack at the door opening.

- Stock colors: Black and Dark Brown



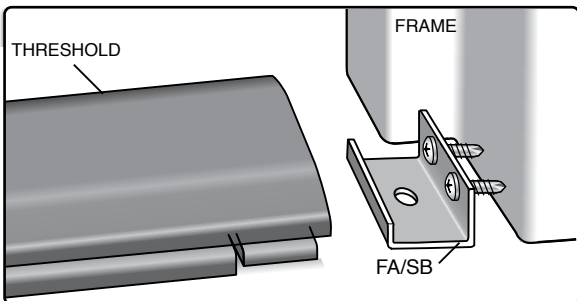
★ 27 CUSTOM COLORS AVAILABLE, contact DHSI for color palette and pricing



- Creates an ideal transition between different flooring surfaces.
- 2 3/4" wide x 3/4" high
- Available in 36", 48" and 72" lengths standard. Others available upon request.

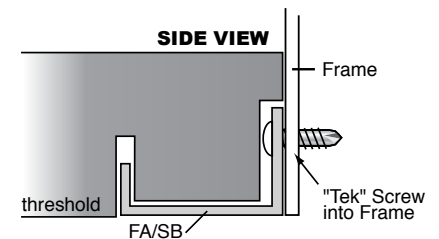
#FA/SB "Frame Alignment/Security Bracket"

★ The FA/SB assists the installer in establishing proper width and square. The FA/SB prevents spreading of the frame at base to disengage the auxiliary latch (anti-pick) and allow carding of lock.



Add "x FA/SB" to threshold part # above

- 1: FA/SB Attachment to frame
- 2: Use one threshold as template for setting all frames
- 3: Remove threshold during construction
- 4: Install glue down threshold over FA/SB bracket with carpet installation



PATENTS #7,062,881, #7,681,372, #8,051,605 #8,418,426 and PATENTS PENDING

ACTIVE LINK

For more info go to <http://dhsi-seal.com/roomsecurity.htm> and link to "Break-In"