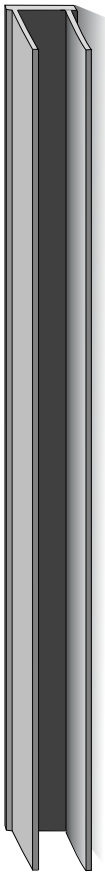
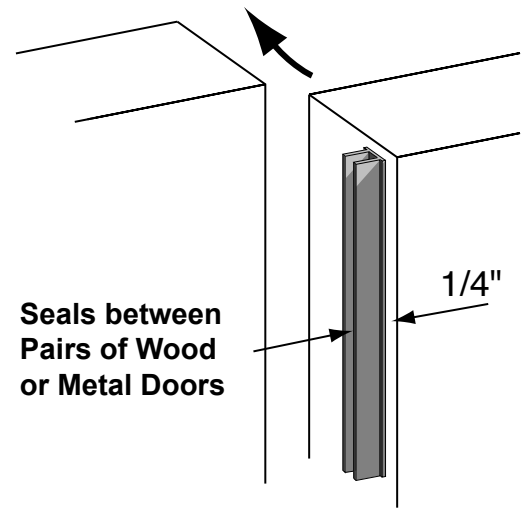


#SA Self Adhesive Door Astragal Seals



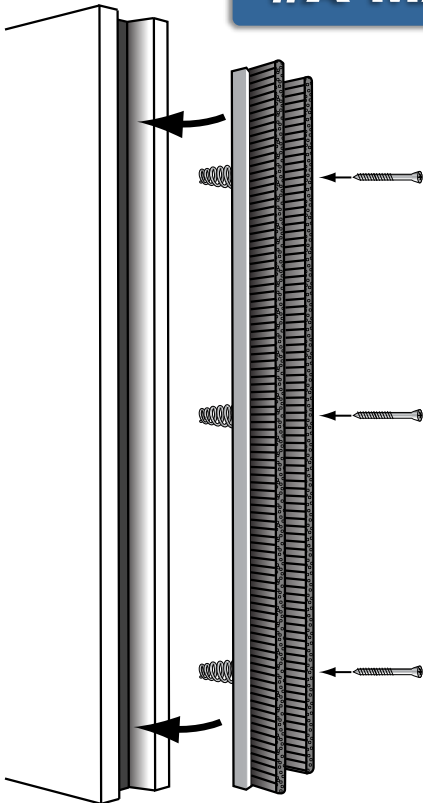
- ★ Self Adhesive seal for weather, sound and smoke
- ★ For pairs of doors, both active, including wood and hollow metal
- Excellent for HM Double Egress and wood or metal doors with Concealed Vertical Rod Panics.
- Excellent for weatherstripping of HM pairs active.
- Mounts on the high and/or low side
- Excellent for Hospitals and Rescue Pivot Hardware
- Adhesive defies removal by normal finger strength
- 7'-0" standard, with 8'-0" available
- Seals from 0" to over 1/4" gaps
- No mortising required.
- Combines with "Cush 'N' Seal" frame seals that seal a door over 1/4" out of plumb.
- Part #SA x length x color
- Available in Off-White, Duronodic or Light Brown (OAK)
- ★ Use DHSI Architectural Details for submittals.



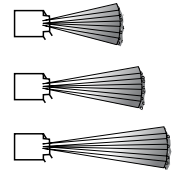
ACTIVE LINK

View more information online at <http://dhsi-seal.com/astragals.htm>

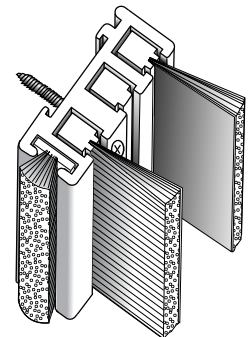
#A-MA3-2 Adjustable Mortise Astragal



- ★ Mortise seal for weather, sound and smoke
- ★ For pairs, both active, interior or exterior wood doors
- Adjustable for 0" to 3/8" gaps standard, plus
- Double or triple seal for sound or weather.
- Stainless Steel Twist-Lok conical springs stay in place
- No service call-backs and complaints.
- 7'-0" standard with 1/2" black pile, up to 10'-0" available
- Shallow Mortise:
29/32" wide x 5/8" deep
- Excellent for Hospitals and Rescue Pivot Hardware
- Part # A-MA3-2 x length
- ★ Use DHSI Architectural Details for submittals.



Replaceable Pile
Longer lengths available



Seals between Pairs of Wood Doors