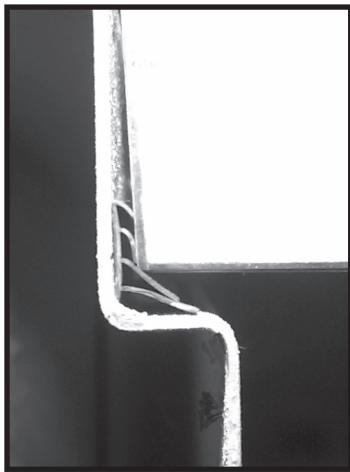
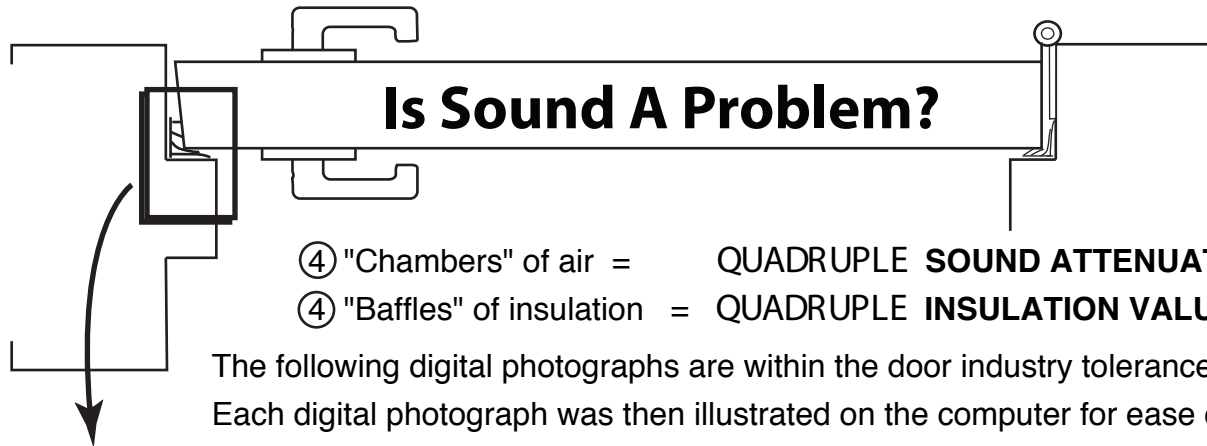


#105 "CUSH 'N' SEAL"®

Patents #5,577,349, #6,058,654, #6,266,924, & #6,381,905 and Patents Pending

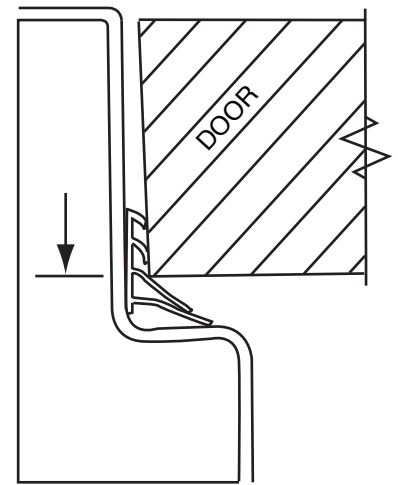
Sound and Smoke Seal Weatherstripping



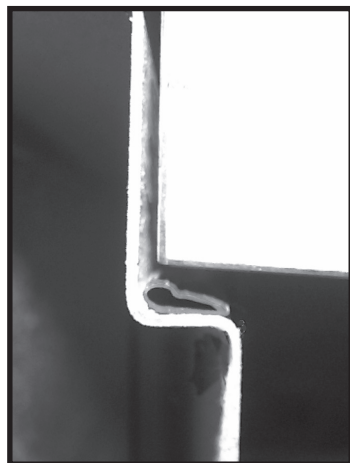
"Cush 'N' Seal"

You get
FOUR TIMES
the value!

And it is
CODE COMPLIANT!



OR

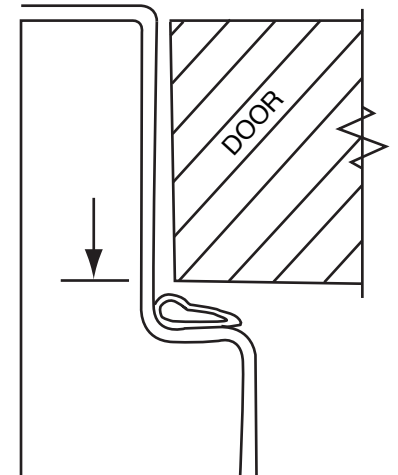


"Teardrop"

You may not get **anything**
for your money!

How can a stop applied seal
possibly compensate
when a door moves?

Which is more cost effective?



www.dhsi-seal.com

DHSI

DOOR AND HARDWARE SYSTEMS, INC.

Contact Person: Robert Rissone, President

17 Silver Street, Rochester, New York 14611 TEL (585) 235-8543 FAX (585) 235-0431
Website: dhsi-seal.com e-mail: info@dhsi-seal.com

CNS digcomp-02 copyright